

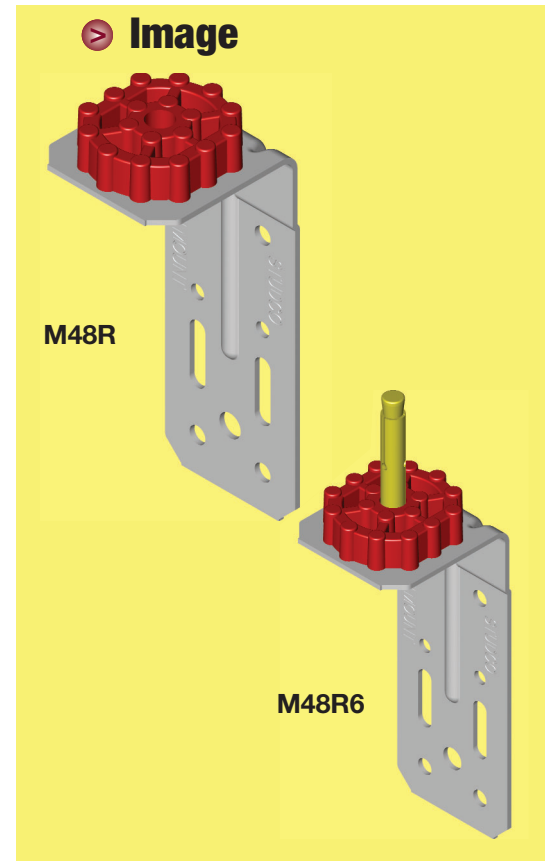
M48R and M48R6

BRAND NAME	Resilmount M48R™
DESCRIPTION	Resilient Mount Right Angle Bracket
MANUFACTURER	Studco Building Systems Pty Ltd
DATE OF ISSUE	March 2009

➤ Trademark



➤ Image



➤ Application

Resilmount M48R™ is an engineered, acoustic resilient mounting bracket for reducing airborne vibration and structure-borne vibration in internal wall and ceiling applications. Use to brace an acoustic wall to the structure without compromising sound and vibration transmission requirements.

➤ Features

- ✓ Engineered thermoplastic rubber outperforms standard rubber because of its sound absorbing characteristics
- ✓ Simple design makes it adaptable to hundreds of applications
- ✓ Consistent and reliable quality – manufactured under ISO9001 quality control system
- ✓ Resilmount is the most cost effective way to isolate airborne noise
- ✓ M48R provided with Ø6.5mm hole through for most common fixings
- ✓ M48R6 provided with a 6.5mm masonry sleeve anchor for ceiling fixing
- ✓ Ø6.5mm hole in long leg of bracket to suit 5mm suspension rod
- ✓ Does not use metal washer or metal insert in rubber
- ✓ Provided with several Ø5mm slotted holes in bracket fixing surface, suitable for direct fixing or inserting suspension rod for suspended ceiling systems

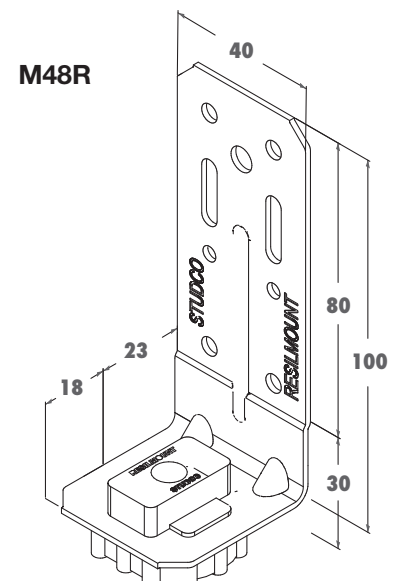
➤ Dynamic Characteristics

Resilmounts patented thermoplastic rubber outperforms standard rubber because of its unique natural absorbing characteristics. Resilmounts unique sound cell design guards against structure borne vibrations transferring into the body of the resilmount because of its strong column design providing a small percentage of contact surface area with the structure or substrate it is fixed to. This aids in absorbing and breaking up airborne sound at its transfer point.

➤ Installation Notes

- M48R are to be only fixed into substrate by minimum 8 gauge screws or masonry sleeve anchors. (See fasteners manufacturers specifications)
- When using in ceiling applications, always check load ratings with Resilmount's engineers prior to installation
- Do not overtighten wall fixing. Ideal maximum torque 45Nm.

➤ Dimensions



For Technical Support & Assistance, Please Contact Studco Technical Services 03 9737 2500