

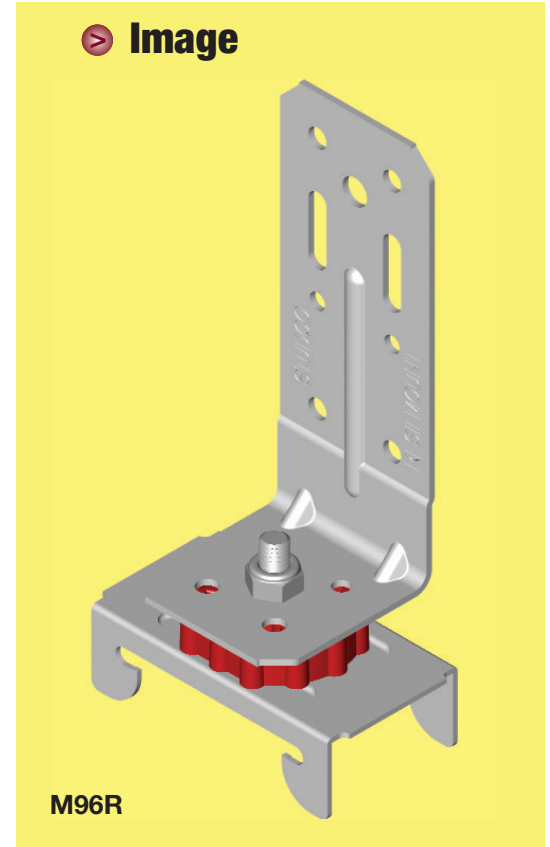
## M96R

<b>BRAND NAME</b>	Resilmount M96R™
<b>DESCRIPTION</b>	Furring Channel to Purlin Resilmount Mount
<b>MANUFACTURER</b>	Studco Building Systems Pty Ltd
<b>DATE OF ISSUE</b>	March 2009

### ➤ Trademark



### ➤ Image



M96R

### ➤ Application

Resilmount M96R is an engineered, patented adjustable acoustic resilient mounting bracket for Studco furring channels being suspended below purlins or trusses, for reducing airborne vibration and structure-borne vibration in ceiling applications.

### ➤ Features

- ✓ Engineered thermoplastic rubber outperforms standard rubber because of its sound absorbing characteristics
- ✓ Simple design makes it adaptable to hundreds of applications
- ✓ Consistent and reliable quality – manufactured under ISO9001 quality control system
- ✓ Resilmount is the most cost effective way to isolate airborne noise
- ✓ Does not use metal washer or metal insert in rubber
- ✓ Provided with Ø5mm slotted holes in bracket for adjustability.
- ✓ Provided with a variety of hole sizes for different fasteners.
- ✓ Fits both 16mm and 28mm furring channels.

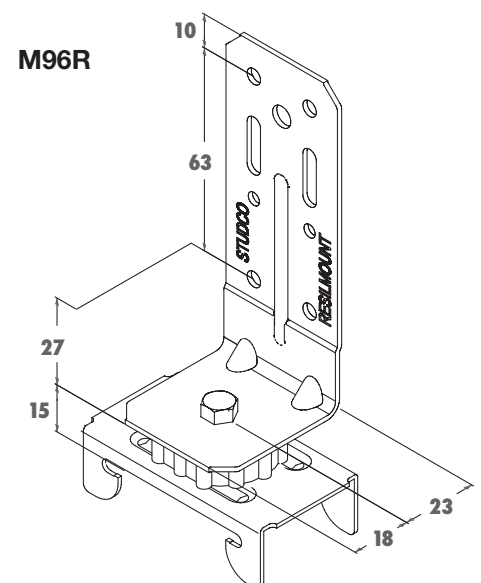
### ➤ Dynamic Characteristics

Resilmounts patented thermoplastic rubber outperforms standard rubber because of its unique natural absorbing characteristics. Resilmounts unique sound cell design guards against structure borne vibrations transferring into the body of the resilmount because of its strong column design providing a small percentage of contact surface area with the structure or substrate it is fixed to. This aids in absorbing and breaking up airborne sound at its transfer point.

### ➤ Installation Notes

- M96R to be fixed to structure with minimum 8 gauge screw or masonry sleeve anchors. (See fasteners manufacturers specifications)
- Load capacity: 25 kg maximum dead load.
- Maximum spacing of clips on furring channel is 1200mm
- Spacing between furring channels should not exceed 600mm

### ➤ Dimensions



**For Technical Support & Assistance, Please Contact Studco Technical Services 03 9737 2500**