

M50R

BRAND NAME	Resilmount M50R™
DESCRIPTION	Resilient Isolation Hanger
MANUFACTURER	Studco Building Systems Pty Ltd
DATE OF ISSUE	March 2009

➤ Trademark



➤ Image



M50R

➤ Application

Resilmount™ M50R is specifically designed for the support and acoustical isolation of internal suspended ceiling systems.

➤ Features

- ✓ Suits standard Ø5mm hanging rod
- ✓ Easy installation into new or existing ceiling systems
- ✓ Meets Australian Standards and ABCB guidelines
- ✓ Does not reduce the load capacity of the ceiling system
- ✓ Suitably isolates the ceiling system from the structure to reduce structure-borne noise
- ✓ Elastomer Type: Natural Rubber
- ✓ Shore A Hardness: 65
- ✓ Load capacity: 50kg

➤ Dynamic Characteristics

Rubber mounts differ from spring mounts in that the natural frequency is a function not only of the deflection but also of the rubber hardness. The noise absorption properties of the Resilmount™ M50R allow it to deflect 5mm when loaded to 50kg, in accordance with Australian Standards, which provided optimal isolation of transferred noise.

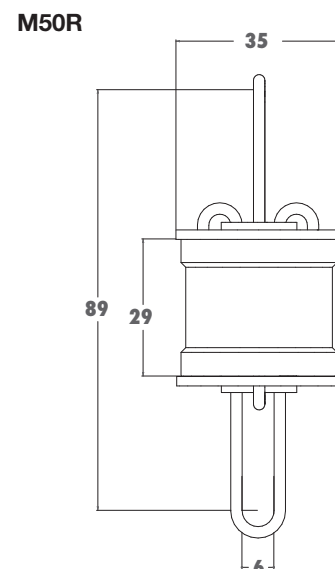
➤ Installation Notes

When selecting hangers, it is recommended that the calculated mass of the ceiling system is increased by 10-20% to avoid overloading of the isolation element. If maximum rated deflections are required, the ceiling system needs to be accurately weighed and point loads assessed in accordance with the architectural specifications of the project.

The site contractor can undertake normal installation procedures of the suspended ceiling system. Once the hanging rod has been hung from the substrate, the lower end of the rod needs to be bent up in accordance with the ceiling system manufacturers specifications, providing a 'hook' on which the Resilmount™ M50R can be hung.

Once the mount is in place, another section of hanging rod is required to be bent and inserted through the lower side of the Resilmount™ M50R. The shaft of this rod then becomes the mounting point for the ceiling suspension clip.

➤ Dimensions



For Technical Support & Assistance, Please Contact Studco Technical Services 03 9737 2500