

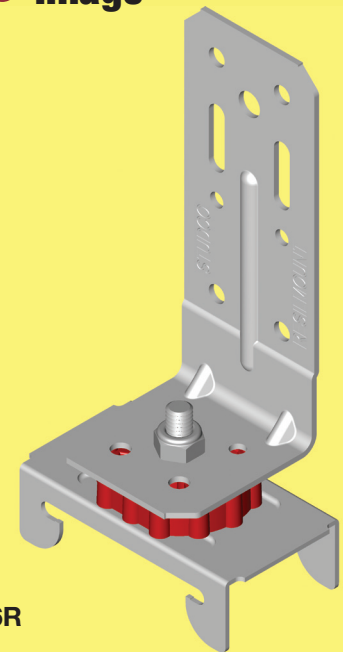
A96R

BRAND NAME	Resilmount A96R™
DESCRIPTION	Furring Channel to Purlin Resilmount Mount
MANUFACTURER	Studco Building Systems
DATE OF ISSUE	March 2009

➤ Trademark



➤ Image



A96R

➤ Application

Resilmount A96R is an engineered, patented adjustable acoustic resilient mounting bracket for Studco furring channels being suspended below purlins or trusses, for reducing airborne vibration and structure-borne vibration in ceiling applications.

➤ Features

- ✓ Engineered thermoplastic rubber outperforms standard rubber because of its sound absorbing characteristics
- ✓ Simple design makes it adaptable to hundreds of applications
- ✓ Consistent and reliable quality – manufactured under ISO9001 quality control system
- ✓ Resilmount is the most cost effective way to isolate airborne noise
- ✓ Does not use metal washer or metal insert in rubber
- ✓ Provided with 3/16" slotted holes in bracket for adjustability.
- ✓ Provided with a variety of hole sizes for different fasteners.
- ✓ Fits both 7/8" and 1 1/2" furring channels.

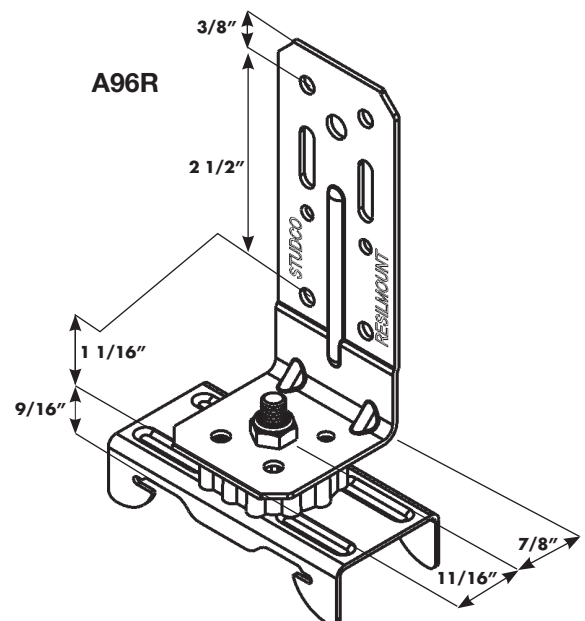
➤ Dynamic Characteristics

Resilmounts patented thermoplastic rubber outperforms standard rubber because of its unique natural absorbing characteristics. Resilmounts unique sound cell design guards against structure borne vibrations transferring into the body of the resilmount because of its strong column design providing a small percentage of contact surface area with the structure or substrate it is fastened to. This aids in absorbing and breaking up airborne sound at its transfer point.

➤ Installation Notes

- A96R to be fastened to structure with a minimum #8 screw or masonry sleeve anchors. (See fasteners manufacturers specifications)
- Load capacity: 55 lbs. maximum dead load.
- Maximum spacing of clips on furring channel is 48"
- Spacing between furring channels should not exceed 24"

➤ Dimensions



For Technical Support & Assistance, Please Contact Studco Technical Services 800.675.8023